

SUNGREEN ENERGY

Removable Power Bank

Features

Solar charging

Provide DC/AC output

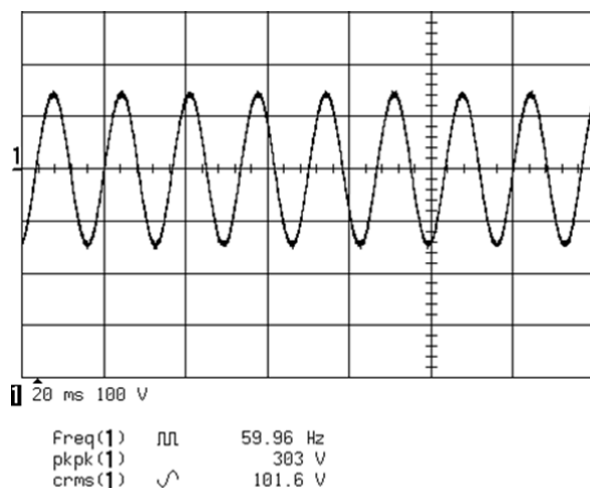
Used in high efficiency deep cycle gel battery

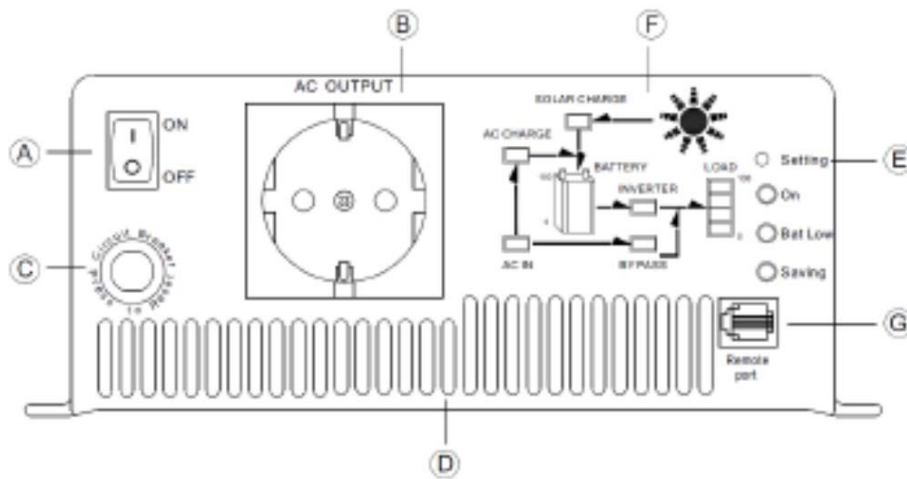
OUTPUT	Rated power	1500W max. continuously , 1750W max. for 180 seconds , 2250W max. for 10 seconds , 3000W for 30 cycle		
	Surge Current	40A (500ms typ.)		
	Output voltage	AC 100V or 110/115/120V or 220V or DC 12V		
	Frequency	60Hz±0.1Hz		
	Waveform	True sine wave (THD < 3.0%)		
INPUT	BAT. Voltage	10.5~15.0V	21.0~30.0V	42.0~60.0V
	DC Current	150A	75A	37.5A
	Efficiency	87%	89%	89%
	Off Mode Current Draw	Under 1.0mA at power switch OFF		
	Protection	Over current、 battery polarity reverse by fuse、 battery low shutdown、 battery low alarm		
CHARGER	charger voltage	14.5V	29.0V	58.0V
	AC charger current	5.5A±0.5A	2.7A±0.4A	1.35A±0.2A
	Solar Open Current Voltage	25V max.	45V max.	75V max.
	Solar charge current	30A max.		



Main Specification

1. Selectable UPS or energy saving mode
2. True sin wave output (THD<3%)
3. 1500W rated output
4. Complete LED indication for operating status
5. Battery low alarm and indicator
6. Output voltage / frequency selectable
7. Can be used for most of electronic products with AC input
8. Compliance to UL458 / FCC / E13 / CE





User Interface

- A. **Power on/off switch** : The inverter will turn OFF if the switch is in the OFF position
- B. **AC output outlet** : To satisfy application demand of different geographic areas all over the world, there are many optional AC outlets to choose from.
- C. **No Fuse Breaker ; Reset** : Under "Bypass Mode", when the AC output is shorted or the load current exceeds the rated current of the No Fuse Breaker, the No Fuse Breaker will open and that stops bypassing energy from the utility getting to prevent possible danger. When the abnormal operating condition is removed, user can press down on the Reset button to resume operation.
- D. **Ventilation Holes** : The inverter requires suitable ventilation to work properly. Please make sure there is good ventilation and the lifespan of the inverter can be preserved.
- E. **Function Setting** : Operating Mode, Output voltage, frequency, and saving mode can be set through this button.
- F. **LED Indicating panel** : Operating status, load condition, and all types of warnings will be displayed on this panel.
- G. **Communication Port** : For remote monitoring purpose, the unit can be connected to a PC through this communication port by using the optional cable and monitoring software. (Engineer use only).

LED Indicator on Front Panel

Battery Capacity Indicator: represents the remaining capacity of external batteries.

LED Display	LED 1 ON	LED 1~2 ON	LED 1~3 ON	LED 1~4 ON
Battery Capacity	0~25%	26-50%	51~75%	76~100%

Load Condition Indicator : represents the magnitude of output loads

LED Display	LED 1 ON	LED 1~2 ON	LED 1~3 ON	LED 1~4 ON
Battery Capacity	0~30%	31-50%	51~75%	76~100%

Function Induction and Alarm

On : The inverter started up and output is normal.

Bat Low : Voltage of external batteries is too low. The inverter will send out a "Beep" sound to warn the users.

Saving : The inverter is operating under the "Saving Mode" and there's no AC output.

AC Charge : The built-in AC charger is charging external batteries.

Solar Charge : The external solar panels are providing energy to the external batteries through the built-in solar charger.

Bypass : The unit is working under "Bypass Mode". The AC electricity consumed by the loads is provided by the utility instead of the inverter.

Inverter : The unit is working under "Inverter Mode" The AC electricity consumed by the loads is converted from the batteries.

Battery : Display the remaining capacity of external batteries.

Load : Display the output load status.

Rear Panel

- A. Battery input(+)(-)
- B. Utility/AC inlet(IEC320)
- C. Solar panel input terminal
- D. Frame ground(FG)

SUNGREEN ENERGY TECHNOLOGY CORP.

TEL : (03)453-3396

FAX : (03)453-3533

E-mail : sales01@sungreentech.com.tw

<http://www.sungreentech.com.tw/>

