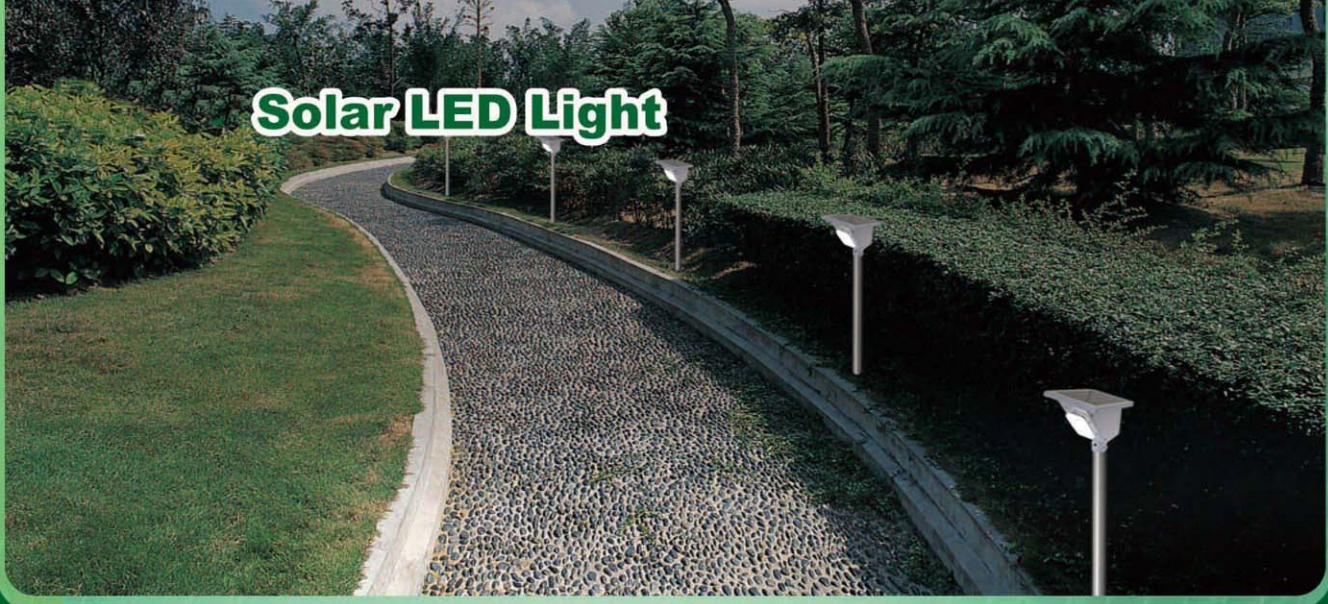


Solar LED Light



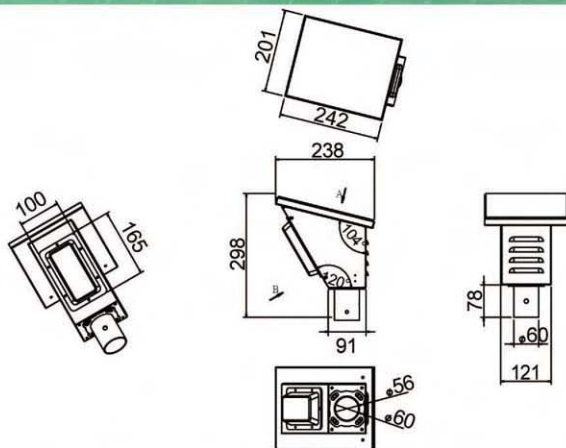
Features

- Suggested installation height is around 50cm
- Optimal design for solar powered input and LED illuminating output
- Compact all in one DIY design easy to install
- Maximize solar power efficiency
- Wireless low cost low electricity loss
- Green energy concept design
- Super bright LED homogeneous lighting distribution
- Long life duration maintenance free
- Strong housing weather proof design
- Vandal proof

Applications

- Parks
- Private gardens
- Sidewalks
- Walking paths

ITEM		Specification
Solar Panel	Type	Mono /Poly Crystalline Silicon
	Voltage	17.4V
	Wattage	5W
Battery	Type	Lead Acid
	Voltage/Current	12 V 5AH
LED	Color	White or Warm white LED. 21 PCs
	Lighting Actuation	Automatically in the night
	Operation time	At night
Main body material		Stainless steel + Aluminum Plates



Unit : mm

Solar LED Light



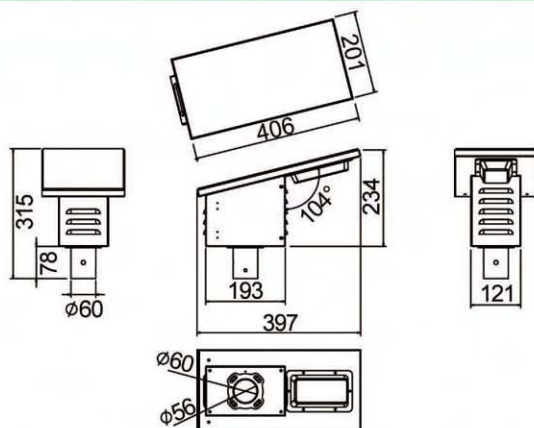
Features

- Suggested installation height is around 1 meter
- Optimal design for solar powered input and LED illuminating output
- Compact all in one DIY design easy to install
- Maximize solar power efficiency
- Wireless low cost low electricity loss
- Green energy concept design
- Super bright LED homogeneous lighting distribution
- Long life duration maintenance free
- Strong housing weather proof design
- Vandal proof

Applications

- Parks
- Private gardens
- Sidewalks
- Walking paths

ITEM		Specification
Solar Panel	Type	Mono /Poly Crystalline Silicon
	Voltage	17.4V
	Wattage	10W
Battery	Type	Lead Acid
	Voltage/Current	12 V 12Ah
LED	Color	White or Warm white LED. 33 PCs
	Lighting Actuation	Automatically in the night
	Operation time	At night
Main body material		Stainless steel + Aluminum Plates



Unit : mm



Solar LED Light



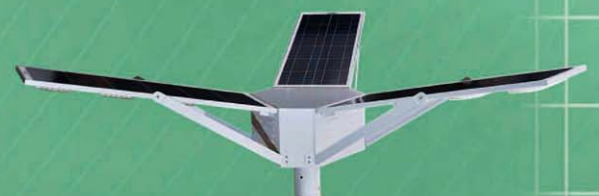
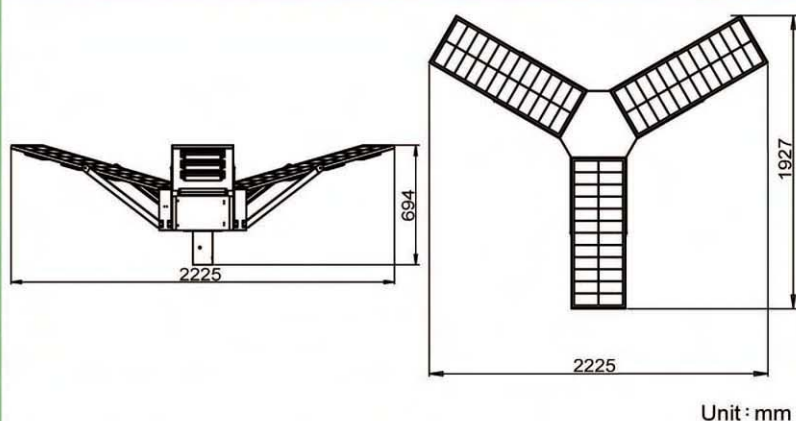
Features

- Suggested installation height is around 4~5 meters
- Optimal design for solar powered input and LED illuminating output
- Compact all in one DIY design easy to install
- Maximize solar power efficiency
- Wireless low cost low electricity loss
- Green energy concept design
- Super bright LED homogeneous lighting distribution
- Long life duration maintenance free
- Strong housing weather proof design
- Vandal proof

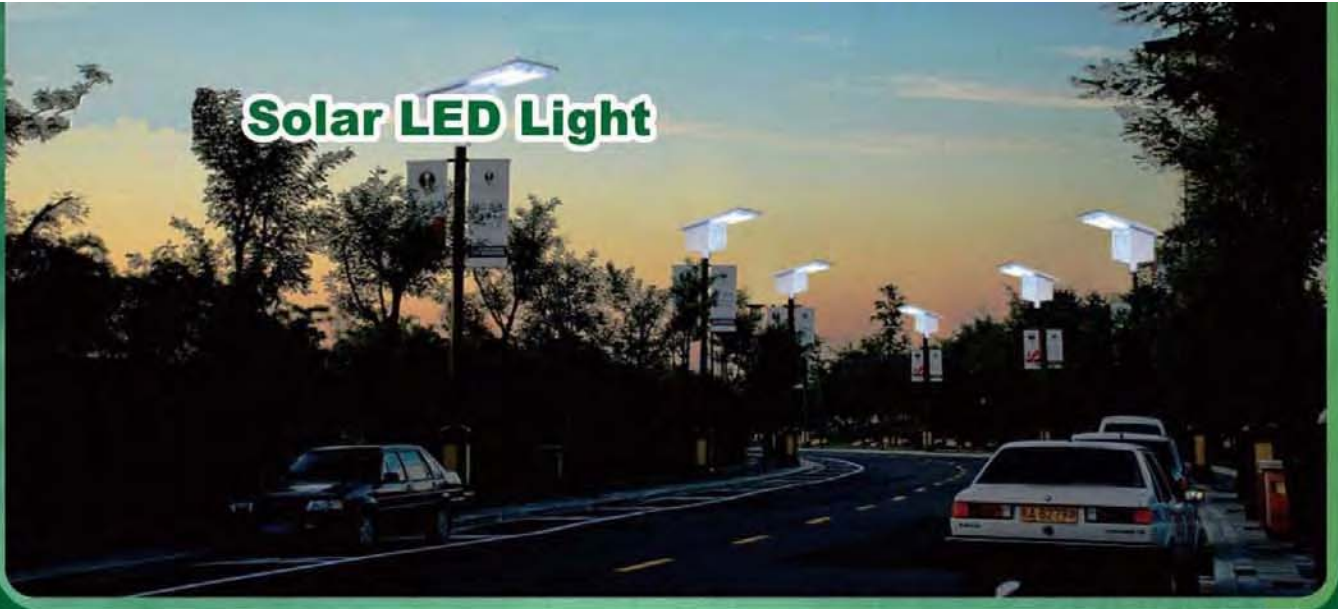
Applications

- Parking lot
- Town square

ITEM		Specification
Solar Panel	Type	Mono /Poly Crystalline Silicon
	Voltage	17.6V
	Wattage	50Wx3 =150W
Battery	Type	Lead Acid (GEL)
	Voltage/Current	12 V 100AH
LED	Color	White or Warm white LED 540,648,756 PCs
	Lighting Actuation	Automatically in the night
	Operation time	At night
Main body material		Stainless steel + Aluminum Plates



Solar LED Light



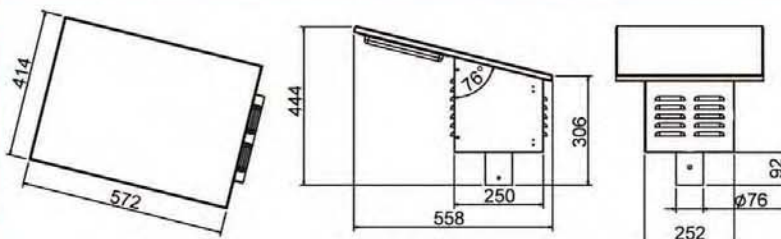
Features

- Suggested installation height is around 3~4 meters
- Optimal design for solar powered input and LED illuminating output
- Compact all in one DIY design easy to install
- Maximize solar power efficiency
- Wireless low cost low electricity loss
- Green energy concept design
- Super bright LED homogeneous lighting distribution
- Long life duration maintenance free
- Strong housing weather proof design
- Vandal proof

Applications

- Walking path
- Private garden
- Bus station

ITEM		Specification
Solar Panel	Type	Mono /Poly Crystalline Silicon
	Voltage	17.4V
	Wattage	30 W
Battery	Type	Lead Acid
	Voltage/Current	12 V 40AH
LED	Color	White or Warm white LED 120,144,168 PCs
	Lighting Actuation	Automatically in the night
	Operation time	At night
Main body material		Stainless steel + Aluminum Plates



Unit : mm

Solar LED Light



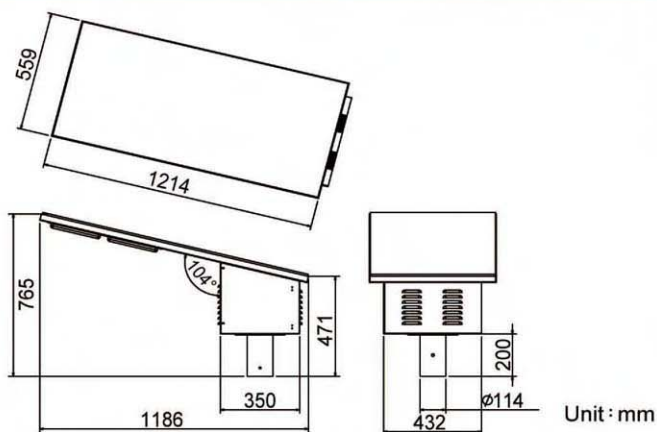
Features

- Suggested installation height is around 5~6 meters
- Optimal design for solar powered input and LED illuminating output
- Compact all in one DIY design easy to install
- Maximize solar power efficiency
- Wireless low cost low electricity loss
- Green energy concept design
- Super bright LED homogeneous lighting distribution
- Long life duration maintenance free
- Strong housing weather proof design
- Vandal proof

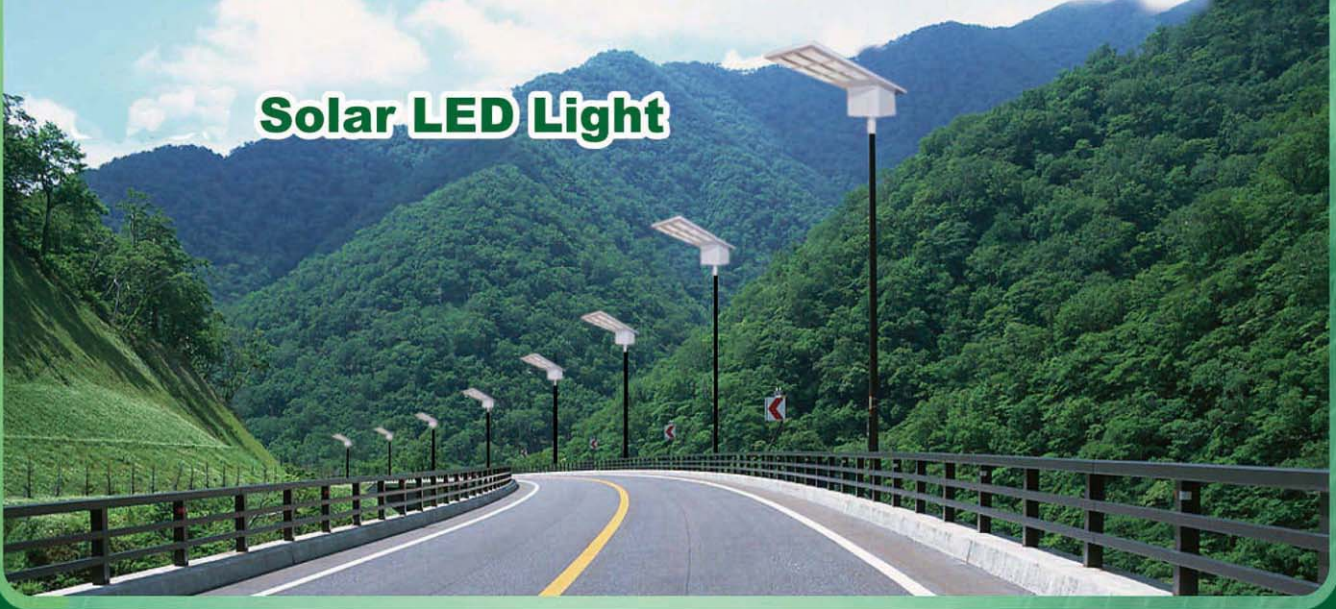
Applications

- Street lighting

ITEM		Specification
Solar Panel	Type	Mono /Poly Crystalline Silicon
	Voltage	17.6V
	Wattage	90 W
Battery	Type	Lead Acid (GEL)
	Voltage/Current	12 V 100AH
LED	Color	White or Warm white LED 360,432,504 PCs
	Lighting Actuation	Automatically in the night
	Operation time	At night
Main body material		Stainless steel + Aluminum Plates



Solar LED Light



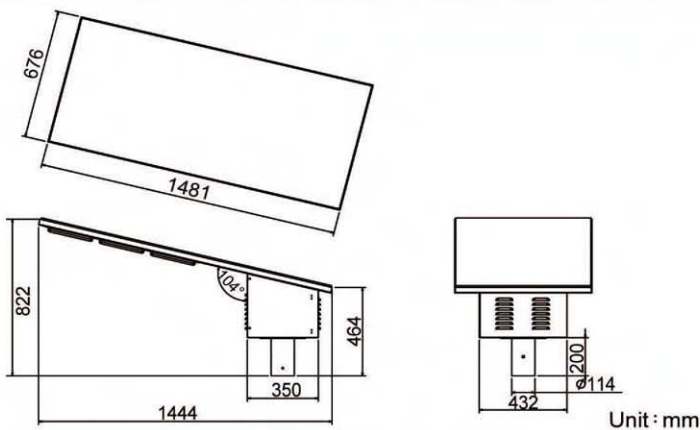
Features

- Suggested installation height is around 6~8 meters
- Optimal design for solar powered input and LED illuminating output
- Compact all in one DIY design easy to install
- Maximize solar power efficiency
- Wireless low cost low electricity loss
- Green energy concept design
- Super bright LED homogeneous lighting distribution
- Long life duration maintenance free
- Strong housing weather proof design
- Vandal proof

Applications

- Street lighting
- Mid-size road

ITEM		Specification
Solar Panel	Type	Mono /Poly Crystalline Silicon
	Voltage	17.6V
	Wattage	135W
Battery	Type	Lead Acid
	Voltage/Current	12V 135AH
LED	Color	White or Warm white LED 540,648,756 PCs
	Lighting Actuation	Automatically in the night
	Operation time	At night
Main body material		Stainless steel + Aluminum Plates



Solar LED Light



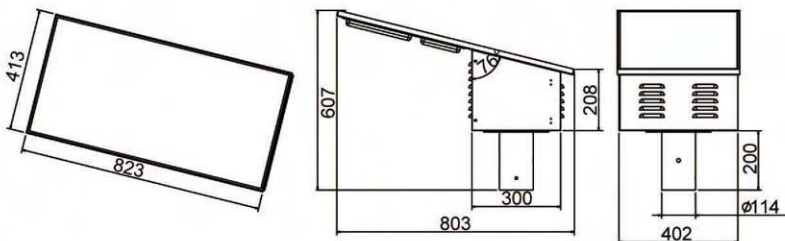
Features

- Suggested installation height is around 4~4.5 meters
- Optimal design for solar powered input and LED illuminating output
- Compact all in one DIY design easy to install
- Maximize solar power efficiency
- Wireless low cost low electricity loss
- Green energy concept design
- Super bright LED homogeneous lighting distribution
- Long life duration maintenance free
- Strong housing weather proof design
- Vandal proof

Applications

- Park
- Parking lot
- Bus station

ITEM		Specification
Solar Panel	Type	Mono / Poly Crystalline Silicon
	Voltage	17.4V
	Wattage	45 W
Battery	Type	Lead Acid
	Voltage/Current	12 V 65AH
LED	Color	White or Warm white LED 180, 216, 252 PCs
	Lighting Actuation	Automatically in the night
	Operation time	At night
Main body material		Stainless steel + Aluminum Plates



Unit : mm